



CIPHERMECH

CIPHERMECH

COMPANY PROFILE

CENTRE FOR INNOVATION, PRECISION, HIGH-PERFORMANCE ENGINEERING & RESEARCH IN
MECHANICAL, ELECTRONICS, COMPUTER & HARDWARE

SINCE 2023

www.ciphermech.com



CIPHER MECH

From Concept to Creation, We Lead the Way

Welcome **Message**

*"Welcome to Ciphermech! We're passionate about turning your ideas into innovative solutions that drive progress and growth. Our team is committed to **delivering excellence, embracing challenges, and forging strong partnerships**. Thank you for joining us on this journey — together, we'll shape a future defined by **creativity, reliability, and lasting success**."*

- Usama Khan -

CEO-Founder

Founded in 2023 by a collective of forward-thinking engineers, Ciphermech was established with a singular objective: to redefine the boundaries of engineering by venturing into new and uncharted domains. Today, we stand as a dynamic center of innovation, seamlessly integrating Engineering Design, Product Development, IIoT, Automation, and a range of advanced Industrial Solutions. Leveraging emerging technologies such as AI, digital twins, and smart sensors, we transform visionary concepts into reality—developing robust, intelligent systems that have the potential to catalyze industry-wide transformation and progress.

As you explore our portfolio and engage with our team, you will discover a dedicated partner committed to delivering efficient, cost-effective, and meticulously optimized solutions. We invite you to join us on this journey toward a future defined by precision, creativity, and sustainable growth. Consider Ciphermech your trusted ally—your dream team—ready to solve complex challenges and empower your enterprise to thrive in a world of limitless possibilities.



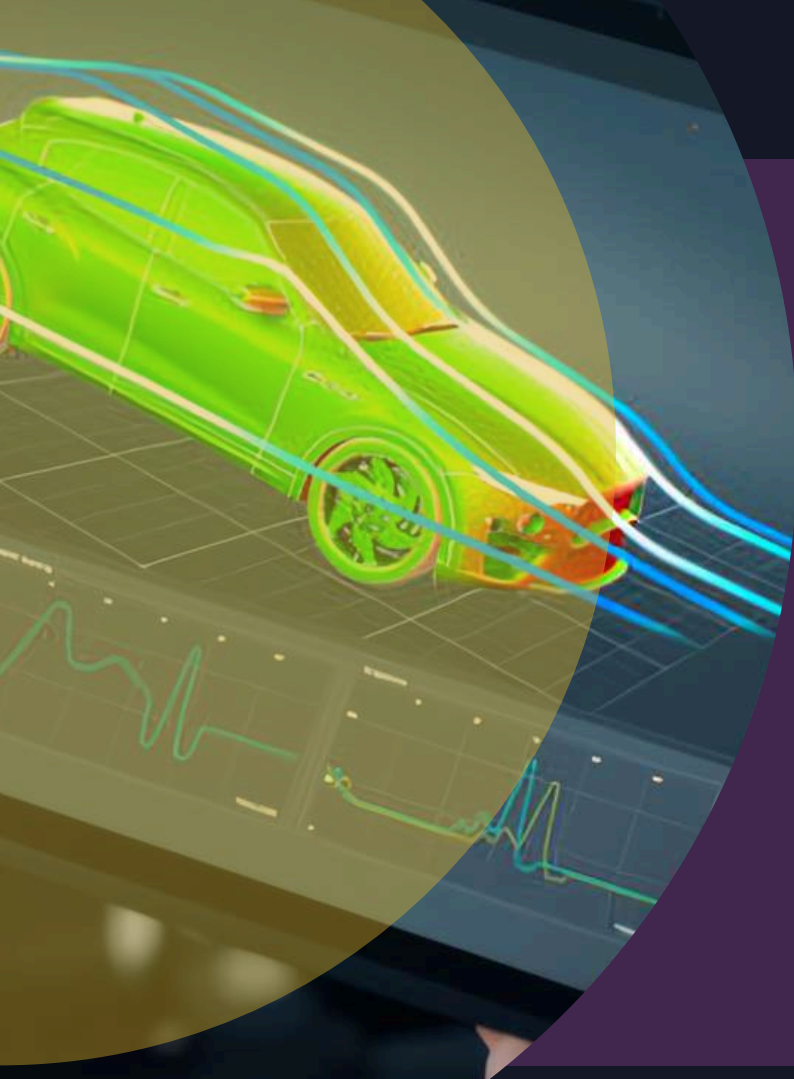
CIPHERMECH

About **Company**

At Ciphermech, we specialize in delivering dynamic engineering solutions that bridge the gap between concept and reality. Founded in 2023 by a team of visionary engineers, we leverage a full range of capabilities — from Engineering Design and Product Development to IIoT, Automation, and advanced Industrial Solutions. By integrating cutting-edge technologies like AI, digital twins, and smart sensors, we transform ambitious ideas into reliable, high-performance systems that elevate industries and shape the future of innovation.

Our approach is grounded in strategic planning, robust methodologies, and a steadfast commitment to quality. We refine concepts, build prototypes, and scale manufacturing processes with precision and care. Every project we undertake is backed by rigorous analysis, practical engineering insights, and a dedication to optimizing efficiency, reducing costs, and ensuring that solutions align with long-term client objectives.

Collaboration and communication lie at the core of our work. We view each client engagement as an opportunity to forge lasting partnerships built on trust, transparency, and mutual growth. By embracing evolving market demands, adapting quickly to technological shifts, and continuously improving our processes, Ciphermech empowers businesses to thrive amidst complexity and change. Together, we can drive sustainable progress, enhance productivity, and unlock new frontiers of possibility.



”

“Innovation is the ability to see change as an opportunity, not a threat.

- Steve Jobs -



Vision & **Mission**

Vision

Our vision at Ciphermech is to continually push the boundaries of engineering and innovation, transforming complex concepts into tangible, high-impact solutions. We strive to harness emerging technologies, embrace collaborative partnerships, and deliver intelligent, sustainable products and systems that empower businesses to excel. By fostering a culture of curiosity, adaptability, and excellence, we aim to redefine industry standards, create lasting value for our clients, and inspire a future defined by possibility and progress.

Mission

Our mission is to deliver pioneering engineering solutions that address today’s challenges while paving the way for a more sustainable and harmonious tomorrow. By integrating advanced technologies—such as AI, digital twins, and IIoT—into thoughtfully engineered products and systems, we aim to minimize environmental impact, optimize resource usage, and foster global economic growth. We believe that innovation must serve both industry and humanity, ensuring that businesses thrive, communities prosper, and the environment endures. Through careful collaboration, rigorous quality standards, and an unwavering commitment to progress, we strive to push beyond conventional limits, making technology a force that uplifts people and preserves our planet for future generations.

In fulfilling this mission, Ciphermech aspires to inspire confidence, cultivate trust, and consistently contribute to a world where cutting-edge solutions nurture well-being and sustainably advance all of humankind.

Our **Services**

Innovatively Engineered, Precisely Crafted, Expertly Designed, Seamlessly Automated, Intelligently Connected, Reliably Manufactured, and Efficiently Delivered — our services embody a holistic approach to turning your visions into reality, empowering you to excel in a world defined by ingenuity and progress.



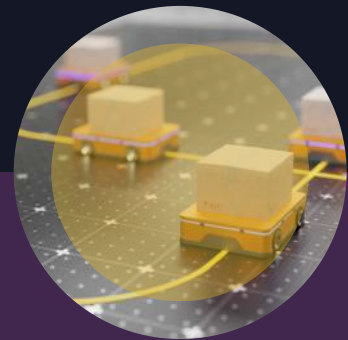
Engineering Design

Our Engineering Design Services encompass part design, enclosure design, fixture design, sheet metal design, injection mold die design, and more. We specialize in developing optimized, manufacturable solutions tailored to industry standards and specific client needs across diverse fields, including pressure vessels, automotive systems, oil and gas, valves, food processing and industrial machinery. With expertise in a variety of applications, we deliver precise, functional designs that integrate seamlessly into production workflows, ensuring reliability and efficiency in every project.



Product Development

Our Product Development Services take your ideas from concept to creation, delivering comprehensive solutions in mechanical, electrical, electronics, automation, and beyond. From initial design and prototyping to final production, we provide tailored support across every stage of development. Whether it's crafting innovative mechanical systems, designing smart electronic devices, or integrating automation for enhanced functionality, our expertise ensures seamless execution and transformative results.



Automation & IIoT

Our Automation & IIoT Services bring intelligence and connectivity to life, offering solutions in industrial automation, home automation, smart cities, and smart societies. We design and implement systems that optimize operations, enhance efficiency, and improve quality of life. From automating industrial processes to creating smarter, interconnected homes and communities, our innovative technologies deliver seamless functionality and sustainable advancements for a better future.



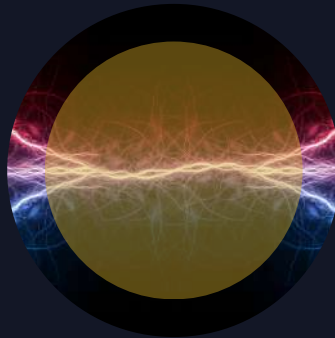
Our **Services**

Innovatively Engineered, Precisely Crafted, Expertly Designed, Seamlessly Automated, Intelligently Connected, Reliably Manufactured, and Efficiently Delivered — our services embody a holistic approach to turning your visions into reality, empowering you to excel in a world defined by ingenuity and progress.



Electronics Design & Manufacturing

Our Electronics Design & Manufacturing Services provide end-to-end solutions, from concept to production, for high-quality and reliable electronic systems. We specialize in custom PCB design, embedded systems, IoT integration, and advanced manufacturing processes. Whether creating innovative devices or scaling production, our expertise ensures precision, efficiency, and seamless execution tailored to meet modern technological demands.



Analysis & Simulation

Our Analysis and Simulation Services deliver comprehensive solutions for parts, components, and assemblies across diverse industries, including oil & gas, HVAC, automotive, and more. We specialize in static and dynamic analysis, vibration analysis, CFD, FEA, structural, and acoustic simulations. Whether optimizing HVAC systems, pressure vessels, or automotive designs, our expertise ensures precision, reliability, and enhanced performance tailored to industry-specific needs.



Reverse Engineering

Our Reverse Engineering Services provide innovative solutions for part replication, machine reconstruction, and system optimization. Utilizing both traditional techniques and advanced computer-aided methods, we accurately analyze and recreate components and assemblies. Whether restoring legacy equipment or improving existing designs, our expertise ensures precise replication and enhanced functionality tailored to your needs.



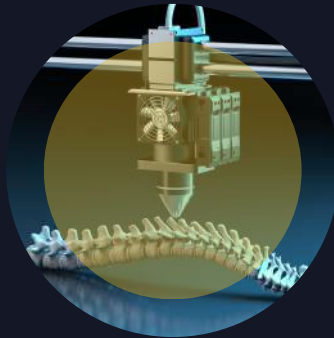
Our **Services**

Innovatively Engineered, Precisely Crafted, Expertly Designed, Seamlessly Automated, Intelligently Connected, Reliably Manufactured, and Efficiently Delivered — our services embody a holistic approach to turning your visions into reality, empowering you to excel in a world defined by ingenuity and progress.



SPM Design

Our SPM Design and Manufacturing Services specialize in creating tailored solutions for unique industrial challenges. We design and build Special Purpose Machines that enhance productivity, streamline operations, and meet specific requirements with precision. With a focus on innovation and efficiency, our machines are engineered to integrate seamlessly into existing processes, delivering reliable performance and maximizing operational effectiveness.



3D Printing

Our 3D Printing Services provide state-of-the-art solutions utilizing advanced technologies such as SLA, FDM, and metal 3D printing. With a vast selection of materials, including plastics, resins, and metals, we ensure exceptional quality, precision, and durability in every project. From rapid prototyping to tooling and custom manufacturing, our services cater to a variety of needs with unparalleled flexibility and speed. We focus on delivering high-quality outputs that meet the most stringent industry standards, ensuring reliable performance and innovative solutions tailored to your requirements.



Modelling & Drafting

Our Modeling and Drafting Services deliver comprehensive solutions for all your design needs. We specialize in 3D modeling, 2D CAD drawings, and general arrangement (GA) drawings for machines and assemblies. With a focus on precision and clarity, we create detailed, accurate designs that streamline the development process. Whether for conceptualization, manufacturing, or documentation, our expertise ensures high-quality outputs tailored to your project requirements.



Our Products

Innovative Products, Engineered for Excellence

From smart automation to advanced engineering solutions, our products are designed to deliver precision, reliability, and performance, empowering industries to achieve more.

COUNTING BELT CONVEYOR SYSTEMS

Our Counting Belt Conveyor Systems are designed for precision and efficiency, offering automated part counting, customizable alerts, and seamless integration into various workflows. Ideal for industries like manufacturing and logistics, these systems streamline operations, reduce errors, and enhance productivity with advanced technology and flexible configurations.



WATERMATIC

Revolutionizing water management with smart, wireless control. This innovative solution monitors water levels in real-time, automates pump operations, and ensures efficient water usage without manual intervention. Easy to install and built for reliability, WATERMATIC brings intelligence and convenience to your water systems, saving time, energy, and resources.

BELT CONVEYOR SYSTEMS

Ciphermech's Belt Conveyor Systems redefine efficiency with tailor-made designs and automation options to suit diverse industry needs. From precision material handling to seamless integration, our conveyors are built to adapt, ensuring performance and reliability that move your operations forward.



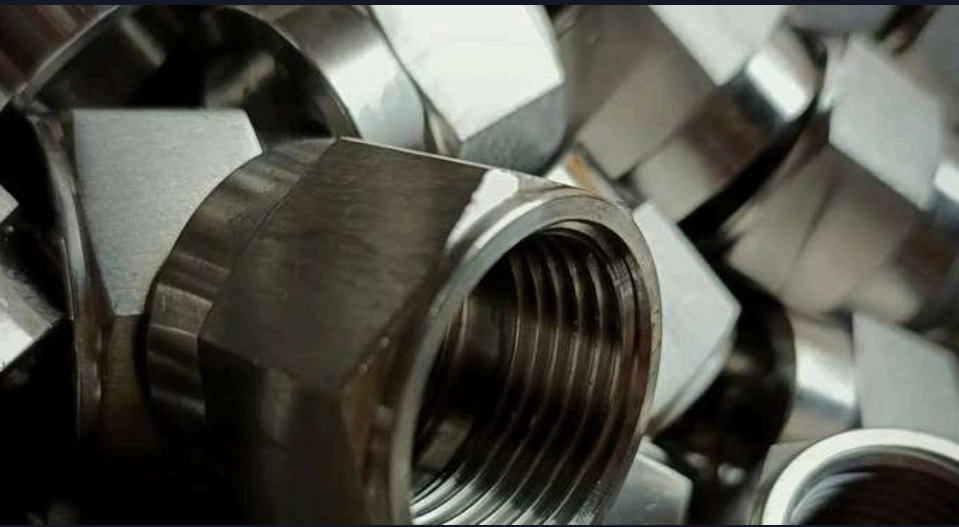
Our Products

Innovative Products, Engineered for Excellence

From smart automation to advanced engineering solutions, our products are designed to deliver precision, reliability, and performance, empowering industries to achieve more.

COLD ROLL FORMING MACHINES

Our Cold Roll Forming Machines are expertly designed for precision manufacturing, integrating automation and customization to meet diverse needs. From rolling shutters to automotive fenders and more, these machines deliver high efficiency, adaptability, and superior quality, tailored to your specific requirements.



FITTINGS

Our Custom Fittings are manufactured to order, adhering to industry standards and tailored to your specific needs.

Serving diverse sectors such as aerospace, oil and gas, automotive, we deliver precision-engineered fittings built for reliability and performance across critical applications.

SMART HOMES & SMART-SPACE DEVICES

Ciphermech's Smart Homes and Smart Cities Devices enhance modern living and urban management. We specialize in designing, manufacturing, installing, and maintaining smart devices for homes, cities, and public spaces. Our tailored solutions improve efficiency, connectivity, and sustainability, making daily life smarter and more convenient.



Our Team

At Ciphermech, we take pride in our multi-disciplinary team of talented professionals from diverse engineering backgrounds. Together, we form a cohesive unit dedicated to delivering innovative and reliable solutions. With expertise spanning various domains, we are your one-stop destination for tailored industrial solutions that drive efficiency, creativity, and excellence.



Usama Khan

Founder & CEO

Usama Khan, Founder & CEO of Ciphermech, is a trailblazer in engineering innovation. With a background in mechanical engineering and hands-on experience as an R&D engineer, he brings a unique blend of technical prowess and visionary thinking to the table. His creative approach to problem-solving, coupled with a passion for innovation, has been the driving force behind Ciphermech's success. A leader who thrives on challenges, Usama's expertise transforms ambitious ideas into groundbreaking solutions, shaping the future of engineering one project at a time.



Talha Shaikh

Co-Founder & Managing Partner

Talha Shaikh, Co-Founder & Managing Partner of Ciphermech, embodies the spirit of a dynamic young entrepreneur with a strong foundation in mechanical engineering. Fueled by a passion for design and innovation, Talha combines technical expertise with a sharp business acumen to drive Ciphermech's growth. He oversees business development, sales, and relationship building, forging lasting partnerships that propel the company forward. A visionary leader with a knack for identifying opportunities, Talha's dedication to excellence and creativity ensures that Ciphermech continues to deliver transformative solutions that redefine industry standards.

Team

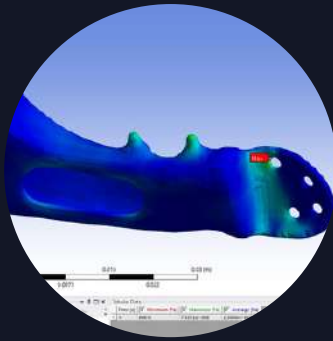
- 4 Core Teams
- 4 Mechanical Engg.
- 3 R&D Experts
- 2 Firmware Developers
- 2 Electronics & Hardware Engg.

Our **Projects**

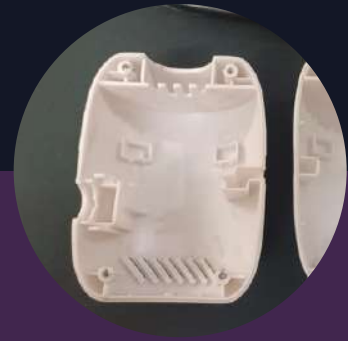
At CIPHERMECH, it's been a journey of delivering excellence — crafting cutting-edge products, designing precision enclosures, mastering injection mold designs, and excelling in electronics manufacturing. From analysis and simulation to approval drawings, we've provided tailored solutions to clients ranging from large multinational corporations to small-scale industries, catering to diverse sectors and scales. With a commitment to client satisfaction, our range of products and services continues to inspire trust and drive success across industries.



**Special Purpose
Manufacturing**



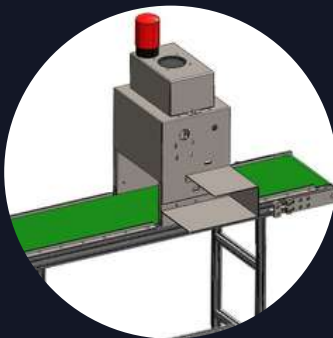
**Dental Implant
Analysis**



**Enclosure Design &
Manufacturing**



**Electronics & Hardware
Design & Manufacturing**



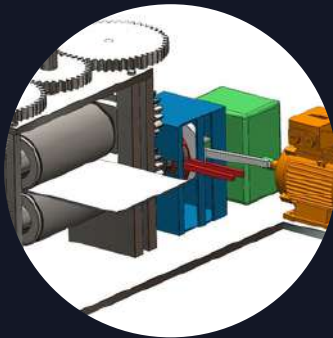
3D Modelling



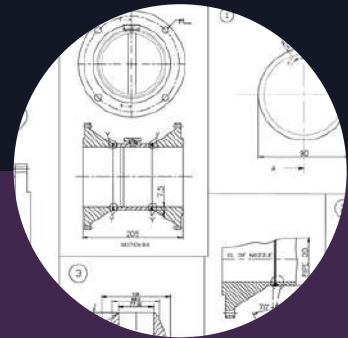
**Injection Moulding Tool
Design & Manufacturing**



3D Printing



**Special Purpose
Machine Design**



**CAD, GAs, Approval
Drawings**

and many more . . .

Our Clients

At CIPHERMECH, it's been a journey of delivering excellence — crafting cutting-edge products, designing precision enclosures, mastering injection mold designs, and excelling in electronics manufacturing. From analysis and simulation to approval drawings, we've provided tailored solutions to clients ranging from large multinational corporations to small-scale industries, catering to diverse sectors and scales. With a commitment to client satisfaction, our range of products and services continues to inspire trust and drive success across industries.



SD Scientific Devices
(Bombay) Pvt. Ltd.



VK



Ametallic
Engineering



SEEREDA



L&T Construction



SANTURA
ENGINEERING



VAJRAM
ELECTRIC
powered by eBikeGo



HIMMEL®
technologies
YOUR DRIVE FOR SUCCESS.



SGLS



PCI®
Analytics



Flexify

50+

25+

5+

Projects

Clients

Products



Get in **Touch**

PHONE +91 98337 62778

MAIL sales@ciphermech.com

SITE www.ciphermech.com

ADDRESS Shop No 06, Hajra Apartment, Green
Park Road, Shlphata, Mumbra, District
Thane, State Maharashtra, India, 400612